



BOSCH 7301 SERIES PLUG

Bosch Spark Plug Alloy Makeup

SPARK PLUG COMPOSTION:

- **0 241 B7 1124** Platinum, Iridium, Nickel Alloy (Center electrode) Laser welded

Torque is limited to 40Nm based on our shell construction.

Resistor style plug

Shell design:

18mm thread, 13/16 reach, 7/8 hex

Heat Range: 75-99

Firing end design: Ground electrode is a standard J-type with a laser welded insert comprised of Platinum, Iridium, Nickel alloy with a copper core. This strong alloy composition replaces all the following with improved results:

PP- double platinum

PYP- projected double platinum

WP- iridium/platinum

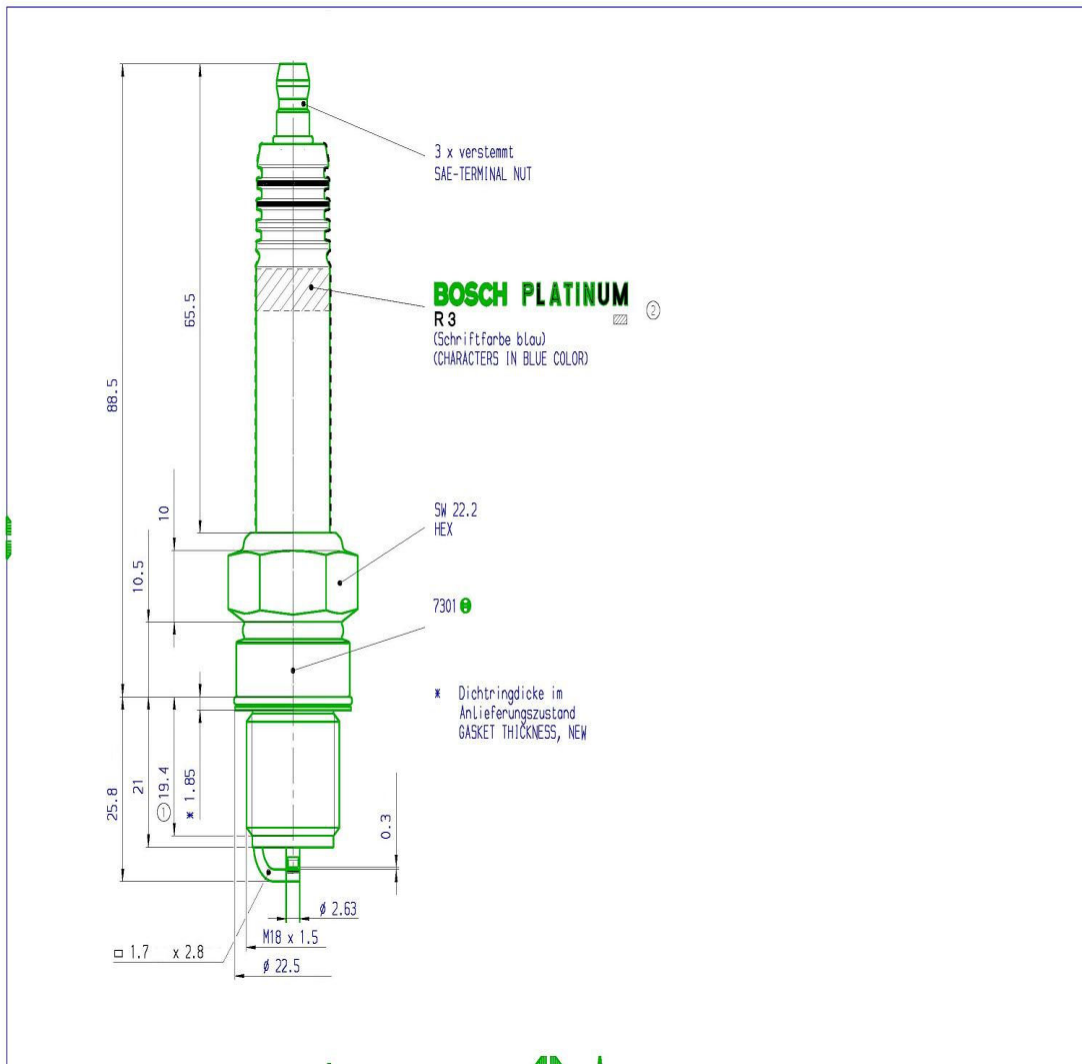
WPC- iridium/platinum/copper

WPCC- iridium/platinum/ double copper

General Features

- Platinum, Iridium, Nickel Alloy (Center electrode).
- Laser welded
- Torque is limited to 40Nm based on our shell construction.
- Shell design: 18mm thread, 13/16 reach, 7/8 hex
- Heat Range: 75-99 psi (IMEP rating), almost seven (7) atmospheres
- Firing end design: Ground electrode is a standard J-type with a laser welded insert comprised of Platinum, Iridium, Nickel alloy with a copper core.
- spark plug gap gauge: 0.15" (inches).

PHYSICAL DIMENSIONS



Replaces:

Caterpillar- 194-8518, 224-2700, and 243-4291

Waukesha- 60999Z

Champion: KB77WPCC, RB77WPCC, RB77CC, RB75N, RB77WPC, RB75WPCC

CATERPILLAR- Part number 194 8518

All G3500 series

All G3600 series

CUMMINS- Part number 40 90 121, 40 98 162, 40 109 81

QSV81G

QSV91G >> 6V

QSK19G

K19G

QSK45G

QSK60

K38G

K50G

WAUKESHA- Part number 609 99Z – 699 19D

2895GL

3521GL

All ATGL series

All VGF series- F18, H24, L36, P48

9390- 13/16 Rch Heads

5115GL

5790GL- 13/16 Rch Heads

7042GL- 13/16 Rch Heads

GUASCOR

FG180

FG240

FGLD240

FGLD360

FGLD480

JENBACHER

J208

J212

J216

J312

J316

J320

J612

J616

NORDBERG

4FG

FSE96

All RTG series

PERKINS

4000 Series

SUPERIOR

2400 G SERIES

1706G2

1721G1

WARTSILLA

W255G

W285G

W345G